



turn to the experts 



40RS Series

Packed Chilled Water Air Handling Unit
72,500-503,000 BTUH



40RS Series



Only the 40RS Series offers you

Versatility

- Full line of packaged unit 9.5-42 tons.
- Choice of air discharge arrangements
- Free blow or with ductwork

Adaptability

- Ceiling suspended or floor mounted
- Attractive appearance for use in the space
- Fits existing 2- or 4 pipe systems

Dependable Carrier Quality

- Efficient coil surface
- Rugged modular construction
- Quiet, belt-drive centrifugal fans

40RS Series - The industry's most complete line of packaged chilled water air handling unit

Specify Carrier **40RS Series** packaged chilled water air handling units for commercial in-the-space application in factories warehouses offices or stores if a source of chilled water is available, you can't afford to overlook the versatile packaged units of the 40RS Series.

These attractive units are available in 8 popular sizes. Covering the 2,450-14,800 Cfm range with nominal cooling capacities from 6 1/2-30 tons. Floor mounted or ceiling suspended. 40RS units are real space savers. Their narrow width (less than 3-ft) makes them easy to get into existing spaces.

Cooling coils are constructed of copper tubes with mechanically corrugate fins. Offering efficient high heat transfer surface that's built with years of dependable service in mind.

The smooth finish baked enamel cabinets are fabricated of rugged. Heavy-gage galvanized steel. Belt-drive centrifugal fans move large volumes of air quietly and efficiently may be used with ductwork or for free blow (direct discharge) into the conditioned space.

Yes, if you're looking for the most in versatility and operating performance in packaged chilled water air handling units. Look to the 40RS Series. From Carrier of course.

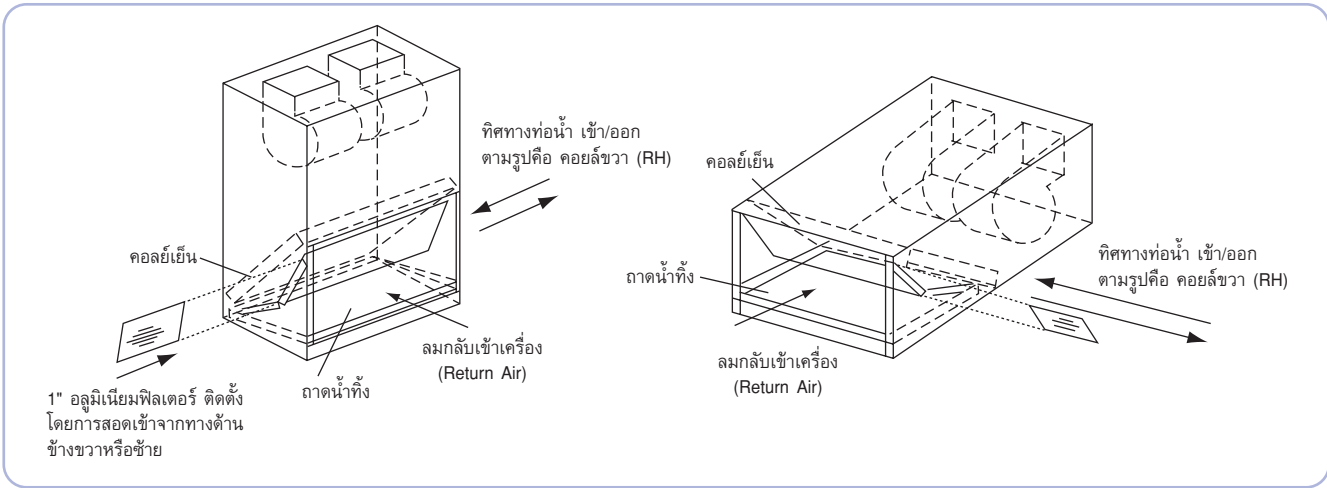
Physical data

Description		Packaged Chilled Water Air Handling Unit										
Model		40RS006	40RS006S	40RS080	40RS100	40RS120	40RS140	40RS160	40RS240	40RS280	40RS340	
Operating Weight	kg.	73	75	204	213	262	265	371	384	560	580	
Nominal Capacity**	BTUH	72,500	91,000	118,800	144,200	159,000	201,000	249,000	335,000	422,000	503,000	
Cooling Coil	Rows...Fin/in.	3-13	4-13	3...14	4...14	3...14	4...14	3...14	4...14	4...14	4...14	
	Total Face Area	sq. ft.	4.9	4.9	7.7	7.7	10.5	10.5	16.3*	17.4*	21.9*	26.2*
	Upper Coil	sq. ft.	-	-	-	-	-	-	-	-	14.1	14.1
	Lower Coil	sq. ft.	-	-	-	-	-	-	-	-	7.8	12.1
Air Quantity	Range CFM	1600-2450	1400-2450	2320-3850	2320-3850	3150-5250	3150-5250	4880-8150	5230-8700	6580-10950	7850-13100	
Fan	Fan No...Dia.	in.	1...10	1...10	2...10	2...10	2...12	2...12	2...15	2...15	2...18	2...18
	Shaft Dia.	mm.	-	-	25	25	30	30	30	30	35	35
	Speed Range	rpm	-	-	600-1900	600-1900	500-1500	500-1500	400-1200	400-1200	300-1000	300-1000
	Standard Speed	rpm	950	950	700	795	625	700	640	720	725	725
	Standard Fan Pulley	-	-	250-1B-25	225-1B-25	280-1B-30	250-1B-30	280-1B-30	250-1B-30	250-1B-30	250-2B-35	250-2B-35
	Standard Motor Pulley	-	-	125-1B-24	125-1B-24	125-1B-28	125-1B-28	125-1B-28	125-1B-28	125-1B-28	125-2B-38	125-2B-38
	Standard Belt...Qty.	-	-	B-49...1	B-49...1	B-56...1	B-54...1	B-43...1	B-43...1	B-43...1	B-73...2	B-73...2
Fan Motor	Range	Hp.	3/4		1-3			2-5		7.5-10		
	Standard	Hp.	3/4	3/4	2	2	3	3	5	5	7.5	7.5
	Speed	rpm	950	950	1400	1400	1400	1400	1440	1440	1450	1450
		V/Ph/Hz	220/1/50	220/1/50	380/3/50	380/3/50	380/3/50	380/3/50	380/3/50	380/3/50	380/3/50	380/3/50
	Starter Type		D.O.L. Only						D.O.L. or Star-Delta			
Insulation	Thermal Coefficient	K	0.036 W/m deg K									
PE. Foam	Thickness	mm.	10									
Air Filters	No...Size	in.	2...20x20x1	2...20x20x1	2...16x20x1	2...16x20x1	6...16x20x1	6...16x20x1	3...16x25x1	3...16x25x1	8...20x20x2	6...20x25x2
					2...16x25x1	2...16x25x1			or 16x25x2	or 16x25x2		2...16x20x2
Connection	1 each											
	Water Supply Pipe	in.	1 FPT	1 FPT	1 1/4 MPT	1 1/4 MPT	1 1/4 MPT	1 1/4 MPT	1 1/2 MPT	1 1/2 MPT	1 1/2 MPT	1 1/2 MPT
	Water Return Pipe	in.	1 FPT	1 FPT	1 1/4 MPT	1 1/4 MPT	1 1/4 MPT	1 1/4 MPT	1 1/2 MPT	1 1/2 MPT	1 1/2 MPT	1 1/2 MPT
	Condensate Pipe	in.	3/4 FPT	3/4 FPT	3/4 MPT	3/4 MPT	3/4 MPT	3/4 MPT	1 MPT	1 MPT	1 1/4 MPT	1 1/4 MPT

FPT - Female Pipe Thread
MPT - Male Pipe Thread

* Two separate coils assembled as one unit, face split into an upper and lower section.
** Nominal capacity base on air ent 80°F db-67°F wb, ent-lvg water temp. 44/54°F, MAR. AIRFLOW

Coil connection

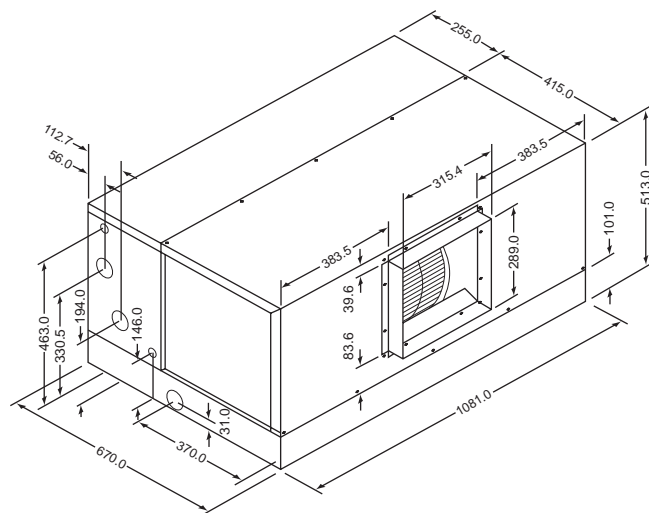


Water pressure drop

40RS006		40RS006S		40RS080		40RS100		40RS120		40RS140		40RS160		40RS240		40RS280		40RS340	
GPM	FT	GPM	FT	GPM	FT	GPM	FT	GPM	FT	GPM	FT	GPM	FT	GPM	FT	GPM	FT	GPM	FT
6	1.69	8	2.55	10	1.41	16	2.47	17	2.62	16	1.65	24	2.11	32	2.20	35	1.54	45	2.29
7	2.55	9	4.18	12	3.25	18	3.32	19	3.57	18	3.09	27	3.15	36	3.85	40	3.06	50	3.63
8	3.45	10	5.81	14	5.09	20	4.22	21	4.52	20	4.54	30	4.18	40	5.51	45	4.58	55	4.98
9	4.25	11	7.44	16	7.07	22	4.99	23	5.53	22	5.99	33	5.22	44	7.16	50	6.10	60	6.32
10	5.11	12	9.07	18	8.69	24	5.81	25	6.40	24	7.44	36	6.32	48	8.82	55	7.62	65	7.67
11	6.04	13	10.77	20	10.46	26	6.69	27	7.32	26	8.88	39	7.27	52	10.47	60	9.23	70	9.01
12	6.87	14	12.29	22	12.37	28	7.61	29	8.30	28	10.40	42	8.29	56	12.17	65	10.62	75	10.42
13	7.73	15	13.88	24	14.42	30	8.41	31	9.34	30	11.74	45	9.35	60	13.74	70	12.10	80	11.67
14	8.60	16	15.54	26	16.12	32	9.26	33	10.23	32	13.16	48	10.48	64	15.40	75	13.67	85	12.98
15	9.46	17	17.28	28	17.96	34	10.10	35	11.19	34	14.64	51	11.46	68	17.13	80	15.31	90	14.36
16	10.32	18	18.84	30	19.79	36	10.95	37	12.14	36	16.19	54	12.50	72	18.74	85	16.75	95	15.80
17	11.19	19	20.46	32	21.63	38	11.80	39	13.09	38	17.57	57	13.54	76	20.40	90	18.27	100	17.08
18	12.05	20	22.09	34	23.47	40	12.65	41	14.04	40	19.02	60	14.58	80	22.05	95	19.79	105	18.43

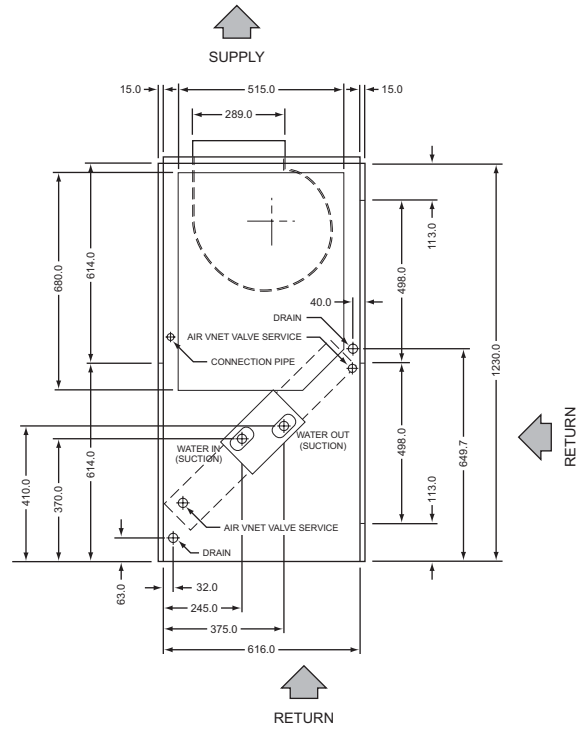
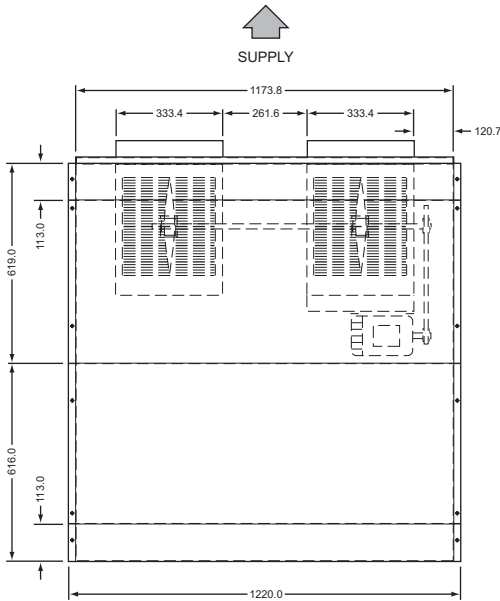
Unit dimensions

Model : 40RS006

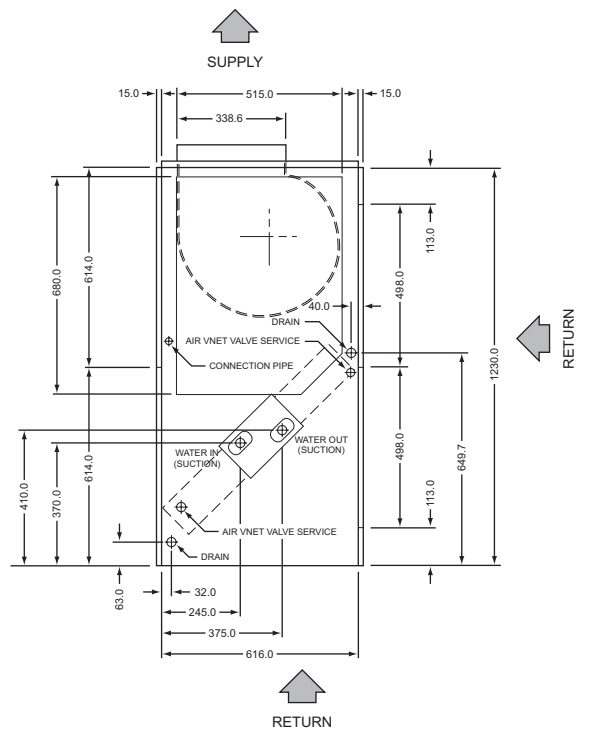
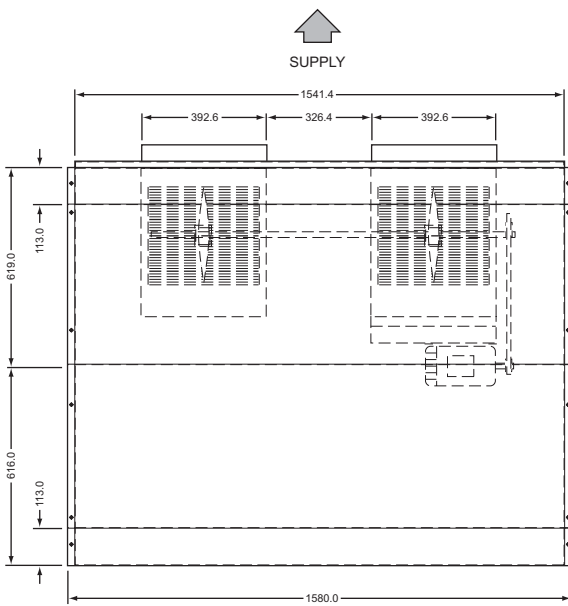


Unit dimensions

Model : 40RS080-100 Vertical & Horizontal Type

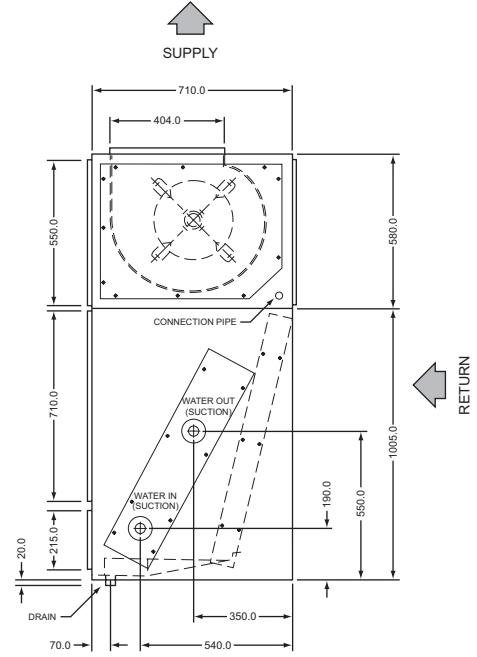
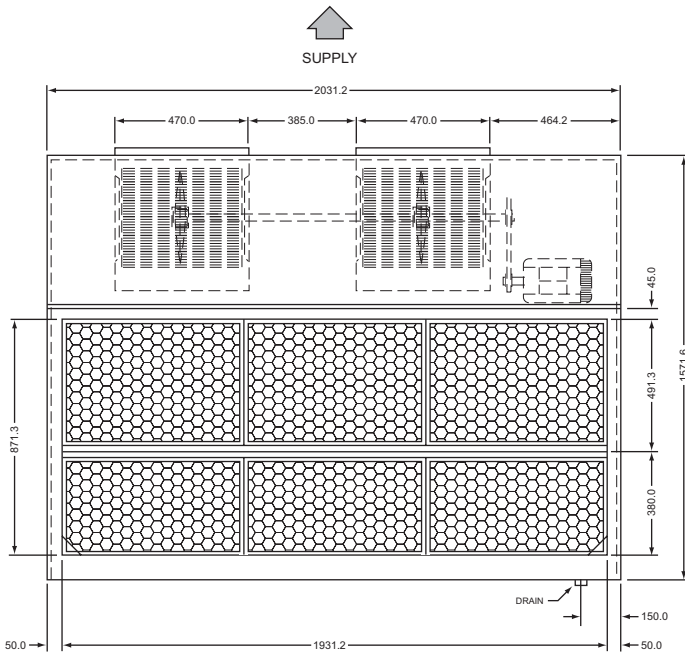


Model : 40RS120, 140 Vertical & Horizontal Type

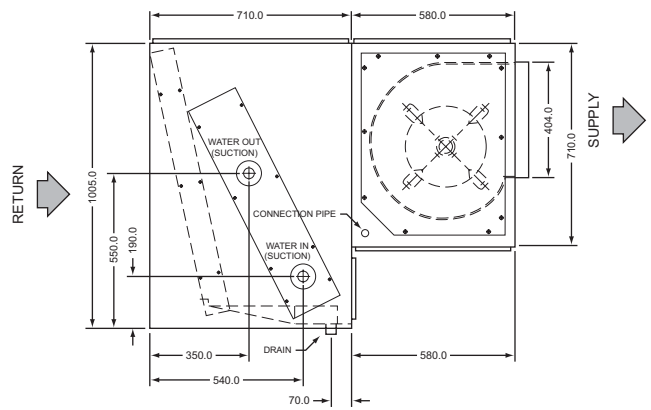
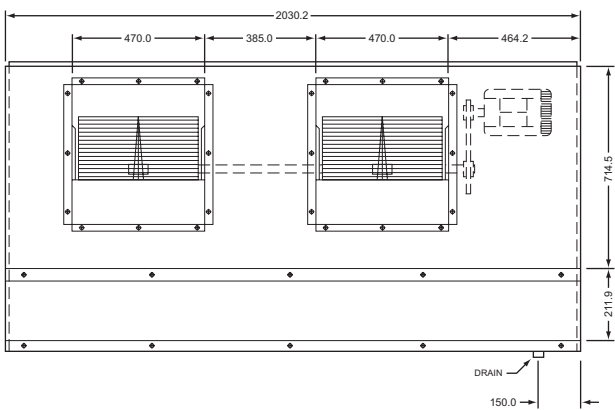


Unit dimensions

Model : 40RS160-240 Vertical Type

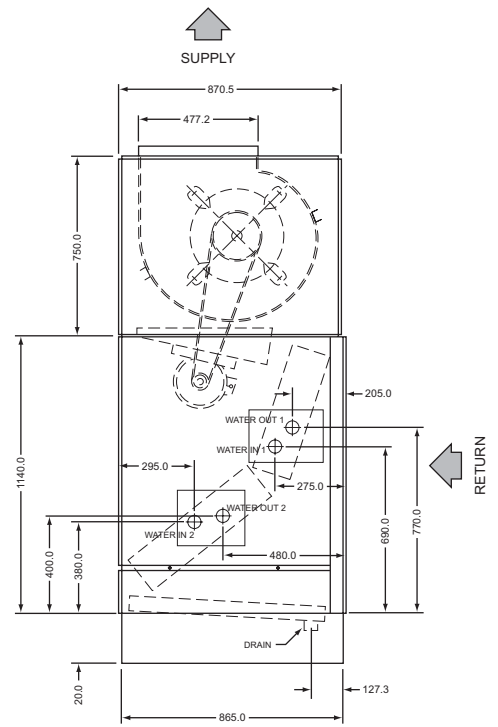
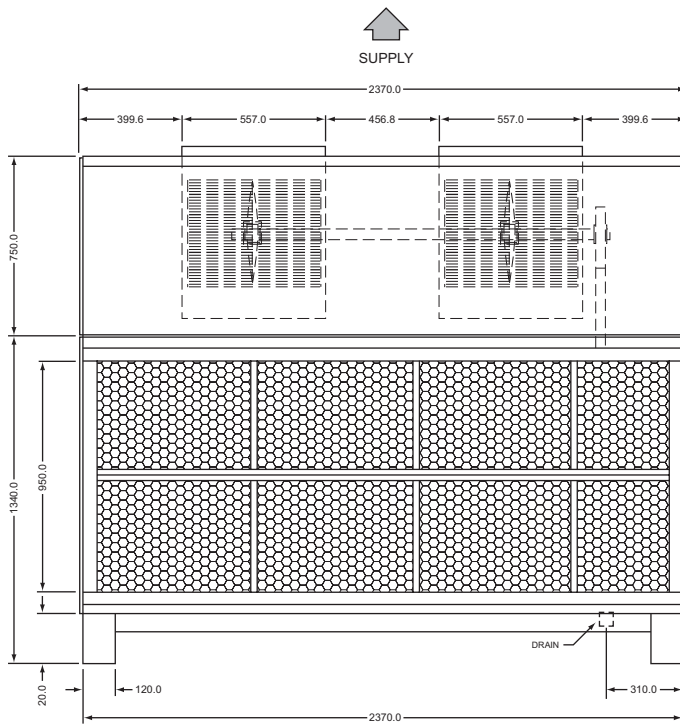


Model : 40RS160, 240 Horizontal Type

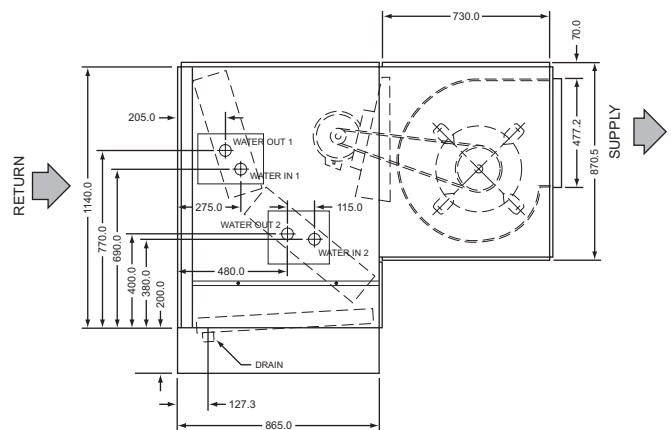
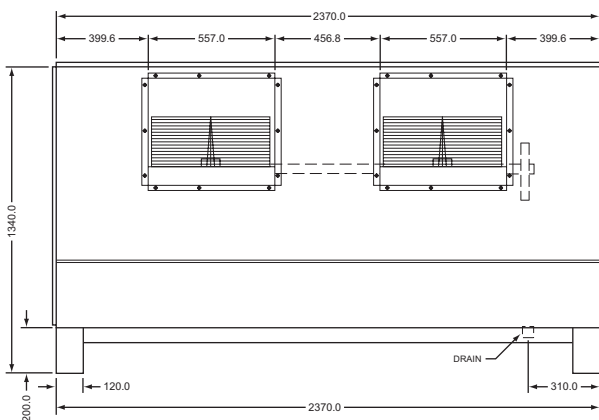


Unit dimensions

Model : 40RS280, 340 Vertical Type



Model : 40RS280, 340 Horizontal Type



Fan performance data

Unit Model	APD.	CFM	Total Static Pressure (in. wg)																	
			0.4		0.6		0.8		1.0		1.2		1.4		1.6		1.8		2.0	
			RPM	KW	RPM	KW	RPM	KW	RPM	KW	RPM	KW	RPM	KW	RPM	KW	RPM	KW	RPM	KW
40RS006	0.18	1680	616	0.21	715	0.26	816	0.32	911	0.38	-	-	-	-	-	-	-	-	-	-
	0.22	1920	647	0.27	733	0.32	825	0.39	913	0.46	-	-	-	-	-	-	-	-	-	-
	0.27	2160	684	0.35	760	0.41	841	0.47	923	0.55	-	-	-	-	-	-	-	-	-	-
	0.31	2400	730	0.45	794	0.51	866	0.59	-	-	-	-	-	-	-	-	-	-	-	-
40RS006S	0.24	1660	616	0.21	715	0.26	816	0.32	911	0.38	-	-	-	-	-	-	-	-	-	-
	0.29	1920	647	0.27	733	0.32	825	0.39	913	0.46	-	-	-	-	-	-	-	-	-	-
	0.34	2160	664	0.35	760	0.41	841	0.47	923	0.55	-	-	-	-	-	-	-	-	-	-
	0.40	2400	730	0.45	794	0.51	866	0.59	-	-	-	-	-	-	-	-	-	-	-	-
40RS080	0.15	2350	599	0.23	726	0.32	859	0.44	-	-	-	-	-	-	-	-	-	-	-	-
	0.19	2700	608	0.29	730	0.39	838	0.49	954	0.62	-	-	-	-	-	-	-	-	-	-
	0.23	3050	623	0.36	736	0.47	841	0.58	937	0.69	1039	0.82	-	-	-	-	-	-	-	-
	0.26	3400	643	0.45	748	0.57	848	0.68	940	0.80	1025	0.94	1116	1.06	-	-	-	-	-	-
	0.31	3650	673	0.59	769	0.71	861	0.84	949	0.97	1034	1.10	1108	1.26	1185	1.40	1265	1.55	-	-
40RS100	0.18	2350	599	0.23	726	0.32	859	0.44	-	-	-	-	-	-	-	-	-	-	-	-
	0.24	2700	608	0.29	730	0.39	838	0.49	954	0.62	-	-	-	-	-	-	-	-	-	-
	0.29	3050	623	0.36	736	0.47	841	0.58	937	0.69	1039	0.62	-	-	-	-	-	-	-	-
	0.35	3400	643	0.45	748	0.57	848	0.68	940	0.80	1025	0.94	1116	1.06	-	-	-	-	-	-
	0.42	3850	673	0.59	769	0.71	861	0.84	949	0.97	1034	1.10	1108	1.26	1185	1.40	1265	1.55	-	-
40RS120	0.14	3200	516	0.31	651	0.46	-	-	-	-	-	-	-	-	-	-	-	-	-	-
	0.18	3750	522	0.39	631	0.54	747	0.72	-	-	-	-	-	-	-	-	-	-	-	-
	0.22	4300	528	0.49	637	0.66	728	0.82	828	1.02	-	-	-	-	-	-	-	-	-	-
	0.26	4850	539	0.62	641	0.79	734	0.98	814	1.16	900	1.37	997	1.64	-	-	-	-	-	-
	0.31	5250	551	0.72	647	0.90	738	1.10	818	1.30	892	1.50	972	1.73	1061	2.01	-	-	-	-

Fan performance data

Unit Model	APD.	CFM	Total Static Pressure (in. wg)																	
			0.4		0.6		0.8		1.0		1.2		1.4		1.6		1.8		2.0	
			RPM	KW	RPM	KW	RPM	KW	RPM	KW	RPM	KW	RPM	KW	RPM	KW	RPM	KW	RPM	KW
40RS140	0.20	3200	516	0.31	651	0.46	-	-	-	-	-	-	-	-	-	-	-	-	-	-
	0.25	3750	522	0.39	631	0.54	747	0.72	-	-	-	-	-	-	-	-	-	-	-	-
	0.30	4300	528	0.49	637	0.66	728	0.82	828	1.02	-	-	-	-	-	-	-	-	-	-
	0.36	4850	539	0.62	641	0.79	734	0.98	814	1.16	900	1.37	997	1.64	-	-	-	-	-	-
	0.42	5250	551	0.72	647	0.90	738	1.10	818	1.30	892	1.50	972	1.73	1061	2.01	-	-	-	-
40RS160	0.14	5150	451	0.51	549	0.70	636	0.92	720	1.16	-	-	-	-	-	-	-	-	-	-
	0.18	5900	455	0.64	549	0.85	634	1.07	709	1.32	784	1.57	-	-	-	-	-	-	-	-
	0.22	6650	465	0.80	554	1.03	634	1.26	708	1.50	776	1.79	842	2.07	908	2.38	-	-	-	-
	0.27	7400	498	1.06	558	1.23	639	1.49	708	1.74	776	2.02	838	2.33	896	2.64	957	2.96	1016	3.31
	0.31	8150	536	1.38	569	1.47	642	1.75	713	2.04	776	2.31	838	2.60	896	2.94	951	3.29	1005	3.63
40RS240	0.20	5200	451	0.52	549	0.71	635	0.93	719	1.16	-	-	-	-	-	-	-	-	-	-
	0.25	6000	455	0.66	550	0.67	634	1.09	709	1.34	782	1.60	-	-	-	-	-	-	-	-
	0.30	6800	470	0.84	555	1.07	634	1.30	708	1.55	776	1.83	841	2.12	905	2.42	-	-	-	-
	0.36	7700	513	1.18	559	1.31	640	1.59	710	1.86	776	2.12	838	2.43	896	2.76	954	3.08	1010	3.42
	0.41	8600	559	1.60	588	1.68	645	1.92	715	2.22	779	2.52	838	2.81	896	3.13	950	3.49	-	-
40RS280	0.18	6500	374	0.59	461	0.86	-	-	-	-	-	-	-	-	-	-	-	-	-	-
	0.24	7550	380	0.77	456	1.04	528	1.35	-	-	-	-	-	-	-	-	-	-	-	-
	0.30	8600	386	0.93	461	1.21	527	1.52	591	1.88	-	-	-	-	-	-	-	-	-	-
	0.36	9650	398	1.17	466	1.47	532	1.79	589	2.13	645	2.52	711	2.99	-	-	-	-	-	-
	0.42	10700	419	1.48	474	1.76	538	2.10	594	2.47	646	2.85	696	3.27	751	3.75	814	4.31	-	-
40RS340	0.20	7800	380	0.78	458	1.05	527	1.36	-	-	-	-	-	-	-	-	-	-	-	-
	0.25	9050	390	1.02	463	1.31	529	1.63	588	1.97	655	2.39	-	-	-	-	-	-	-	-
	0.31	10300	410	1.35	471	1.65	534	1.98	592	2.34	644	2.71	698	3.14	761	3.65	-	-	-	-
	0.36	11650	440	1.82	485	2.08	542	2.45	597	2.81	650	3.22	698	3.63	744	4.08	792	4.57	847	5.14
	0.42	13000	470	2.39	510	2.67	554	2.98	606	3.41	655	3.81	704	4.26	749	4.71	791	5.18	831	5.68

Performance data

Ent/Lvg Water Temp 44/54°F Capacity

Ent Air db/wb °F		76/63			78/65			80/67			82/69		
Model	CFM	Total	Sensible	gpm	Total	Sensible	gpm	Total	Sensible	gpm	Total	Sensible	gpm
40RS006	1800	39.8	36.7	7.9	45.6	37.5	9.1	52.1	39.4	10.4	59.3	41.5	11.8
	2100	49.3	46.5	9.8	56.0	48.5	11.2	63.7	50.7	12.7	72.2	53.1	14.4
	2400	57.2	60.0	11.4	64.5	50.4	12.9	73.0	60.8	14.6	82.5	63.4	16.5
40RS006S	1800	48.0	39.3	9.6	55.0	45.2	11.0	62.8	47.8	12.5	71.1	50.5	14.2
	2100	60.3	53.2	12.0	68.8	55.1	13.7	78.3	58.0	15.6	88.6	61.0	17.7
	2400	70.6	65.6	14.1	80.2	66.9	16.0	91.0	70.0	18.1	102.8	73.4	20.5
40RS080	2320	66.0	54.1	13.2	77.1	57.5	15.4	88.5	60.7	17.7	100.5	64.0	20.2
	3090	78.5	67.2	15.7	92.0	71.2	18.5	105.7	75.0	21.1	120.0	78.8	24.0
	3850	88.0	78.5	17.5	103.2	82.9	20.6	118.8	87.3	23.8	135.0	91.4	27.0
40RS100	2320	77.2	60.3	15.4	90.5	64.4	18.1	104.0	68.5	20.8	118.3	72.5	23.6
	3090	94.3	75.9	18.9	110.5	80.9	22.2	127.0	85.7	25.4	144.5	90.5	28.9
	3850	106.5	89.3	21.2	125.4	95.0	25.2	144.2	100.4	28.7	164.5	105.9	33.0
40RS120	3150	88.3	73.0	17.7	103.2	77.4	20.6	118.9	82.0	23.7	135.3	86.4	27.0
	4200	104.7	90.5	20.9	123.0	96.0	24.7	141.5	101.2	28.2	161.2	106.4	32.1
	5250	117.5	105.9	23.5	138.0	111.9	27.6	159.0	117.7	31.7	181.5	123.5	36.4
40RS140	3150	108.0	83.3	21.5	126.0	88.9	25.1	144.5	94.4	28.8	163.9	99.9	32.8
	4200	131.5	104.7	26.2	153.8	111.5	30.9	176.5	118.2	35.4	200.4	124.7	40.1
	5250	149.5	123.4	29.9	175.0	131.1	35.0	201.0	138.5	40.0	228.5	145.9	45.6
40RS160	4880	137.5	113.4	27.5	161.0	120.5	32.2	185.5	127.6	34.7	211.0	134.5	42.1
	6510	164.0	141.0	33.0	192.0	149.3	38.4	221.5	157.7	44.4	252.0	165.8	50.6
	8140	184.0	165.0	36.8	215.7	174.3	43.0	249.0	183.5	49.9	283.5	192.4	56.9
40RS240	5230	180.5	138.8	36.1	210.5	148.2	42.1	241.5	157.5	48.5	273.0	166.2	54.3
	6970	219.5	174.3	44.0	256.0	185.4	51.2	293.5	196.4	58.6	333.0	207.2	66.5
	8700	249.5	205.4	49.9	292.0	218.2	58.4	335.0	230.5	66.9	380.0	242.6	75.9
40RS280	6580	277.0	174.6	45.6	264.5	186.3	53.0	303.0	197.7	60.6	343.5	209.1	68.9
	8770	275.5	219.0	55.1	321.5	233.1	64.3	369.0	247.0	73.5	418.8	260.6	83.4
	10950	313.0	258.0	62.4	366.0	273.9	72.9	422.0	290.2	84.7	479.0	305.5	96.2
40RS340	7850	270.5	208.2	54.1	315.0	222.0	62.7	361.5	235.9	72.3	410.0	249.6	82.3
	10470	329.0	261.5	65.8	384.5	278.6	77.3	440.5	294.8	87.9	499.9	311.2	99.6
	13080	373.7	308.0	74.4	437.5	327.2	87.3	503.0	346.1	100.6	571.0	364.4	114.1

Performance data

Ent/Lvg Water Temp 45/55°F Capacity

Ent Air db/wb °F		76/63			78/65			80/67			82/69		
Model	CFM	Total	Sensible	gpm	Total	Sensible	gpm	Total	Sensible	gpm	Total	Sensible	gpm
40RS006	1800	37.5	35.7	7.5	43.1	36.4	8.6	49.4	38.3	9.9	56.4	40.3	11.3
	2100	46.6	46.6	9.3	46.6	52.2	9.3	60.4	49.4	12.0	68.7	51.7	13.7
	2400	54.2	54.2	10.8	61.2	57.1	12.2	69.3	59.3	13.8	78.5	61.8	15.7
40RS006S	1800	45.2	39.0	9.0	52.1	40.9	10.4	59.7	43.5	11.9	67.9	46.0	13.5
	2100	56.9	51.8	11.4	65.1	53.6	13.0	74.4	56.3	14.8	84.5	59.3	16.9
	2400	66.8	64.0	13.3	76.0	65.1	15.2	86.5	68.2	17.2	98.0	71.4	19.5
40RS080	2320	61.7	52.3	12.4	72.8	55.7	14.6	84.1	59.0	16.8	96.0	62.2	19.2
	3090	73.2	65.0	14.7	86.5	69.0	17.3	100.4	73.4	20.2	114.5	76.6	22.8
	3850	82.0	76.1	16.5	96.9	80.5	19.3	112.5	84.8	22.4	128.5	88.9	25.6
40RS100	2320	71.5	57.8	14.3	85.5	62.3	17.0	99.0	66.3	19.8	113.4	70.4	22.7
	3090	88.0	73.3	17.6	104.0	78.2	20.7	120.8	83.2	24.2	138.0	87.9	27.5
	3850	99.5	86.4	20.0	118.0	92.0	29.6	137.0	97.5	27.5	157.0	102.9	31.5
40RS120	3150	82.3	70.5	16.5	97.5	75.1	16.0	113.0	79.6	22.7	129.2	84.0	25.8
	4200	97.5	87.6	19.5	115.5	93.0	23.1	134.4	98.4	27.0	154.0	103.6	30.8
	5250	109.0	102.6	21.7	129.5	108.6	25.9	150.5	114.4	30.0	172.5	120.1	34.3
40RS140	3150	101.5	76.0	63.0	119.5	86.1	24.0	138.0	91.6	27.7	157.3	97.1	31.6
	4200	123.2	101.2	24.7	145.3	108.0	29.1	167.7	114.5	33.4	191.8	121.2	38.4
	5250	139.5	119.2	27.9	165.0	127.0	33.0	190.9	134.5	38.0	218.5	142.0	43.8
40RS160	4880	128.0	109.5	25.5	151.6	116.6	30.3	176.0	123.8	35.2	201.5	130.7	40.2
	6510	152.8	136.5	30.7	180.8	144.9	36.6	209.5	153.0	41.9	240.5	161.2	48.1
	8140	170.7	159.7	34.0	203.0	169.3	40.7	235.6	178.3	45.9	270.0	167.2	54.2
40RS240	5230	169.5	134.0	34.0	199.5	143.4	39.9	230.0	152.5	45.9	262.0	161.5	52.4
	6970	205.0	168.1	40.8	242.0	179.5	48.5	283.0	190.8	56.3	319.0	201.5	64.1
	8700	232.9	178.5	46.5	275.0	211.3	54.9	318.5	223.9	63.5	363.0	235.9	72.5
40RS280	6580	213.0	168.5	42.8	250.5	180.2	50.3	289.0	191.7	57.9	329.0	203.0	65.5
	8770	258.0	211.6	51.7	304.0	225.7	60.8	351.0	239.5	70.0	401.0	253.3	80.2
	10950	293.0	249.7	58.8	346.0	265.7	69.4	400.0	281.3	79.9	457.0	296.8	91.4
40RS340	7850	254.0	201.0	50.9	299.0	215.1	60.1	345.0	228.9	69.2	393.0	242.4	78.7
	10470	308.0	252.6	61.7	363.0	269.5	72.9	419.0	285.9	83.6	479.0	302.6	96.1
	13080	348.5	297.5	69.4	412.0	316.8	82.2	477.0	335.6	95.0	545.5	354.2	108.9



เครื่องปรับอากาศ “แคเรียร์”

บริษัท แคเรียร์ (ประเทศไทย) จำกัด

ชั้น 14-15 อาคารเนชั่น ทาวเวอร์
46/63-74 ถ.บางนา-ตราด กม. 4.5
บางนา กรุงเทพฯ 10260
โทร. 0-2751-4777 แฟกซ์: 0-2751-4778

Carrier (Thailand) Ltd.

14-15th Fl., Nation Tower,
46/63-74 Bangna-Trad Road Km. 4.5, Bangna,
Bangkok 10260 Thailand
Tel.: 0-2751-4777 Fax: 0-2751-4778

Carrier reserves the right to make changes in specifications without prior notice.
บริษัทฯ ขอสงวนสิทธิ์ที่จะเปลี่ยนแปลงรายละเอียดข้างต้น โดยไม่ต้องแจ้งให้ทราบล่วงหน้า



YOUR CARRIER MAN :