



38AF Series

Air Cooled Condensing Unit

Nominal Capacity : 200,000-615,000 Btuh



38AF Series



▲ 38AF020-040



▲ 38AF050-060

High Quality Condensing Units for Diversified Commercial Use

- High operating efficiency
- High system application flexibility
- Years of trouble-free operation
- Ozone Friendly refrigerant (R-407C)

Features & benefits

These dependable outdoor sections match Carrier's indoor air handlers and direct-expansion coils for a wide selection of commercial cooling solutions.

Constructed for long life

Models 38AF are designed and built to last. The copper tube-aluminum fin outdoor coil construction provides years of trouble-free operation. (Where conditions require them, copper fin coils are also available.) As option Cabinets are constructed of prepainted galvanized steel, delivering unparalleled protection from surface rust. Inside and outside surfaces are protected to ensure long life, good looks, and corrosion resistance. Solid-state safety controls are used for enhanced system reliability.

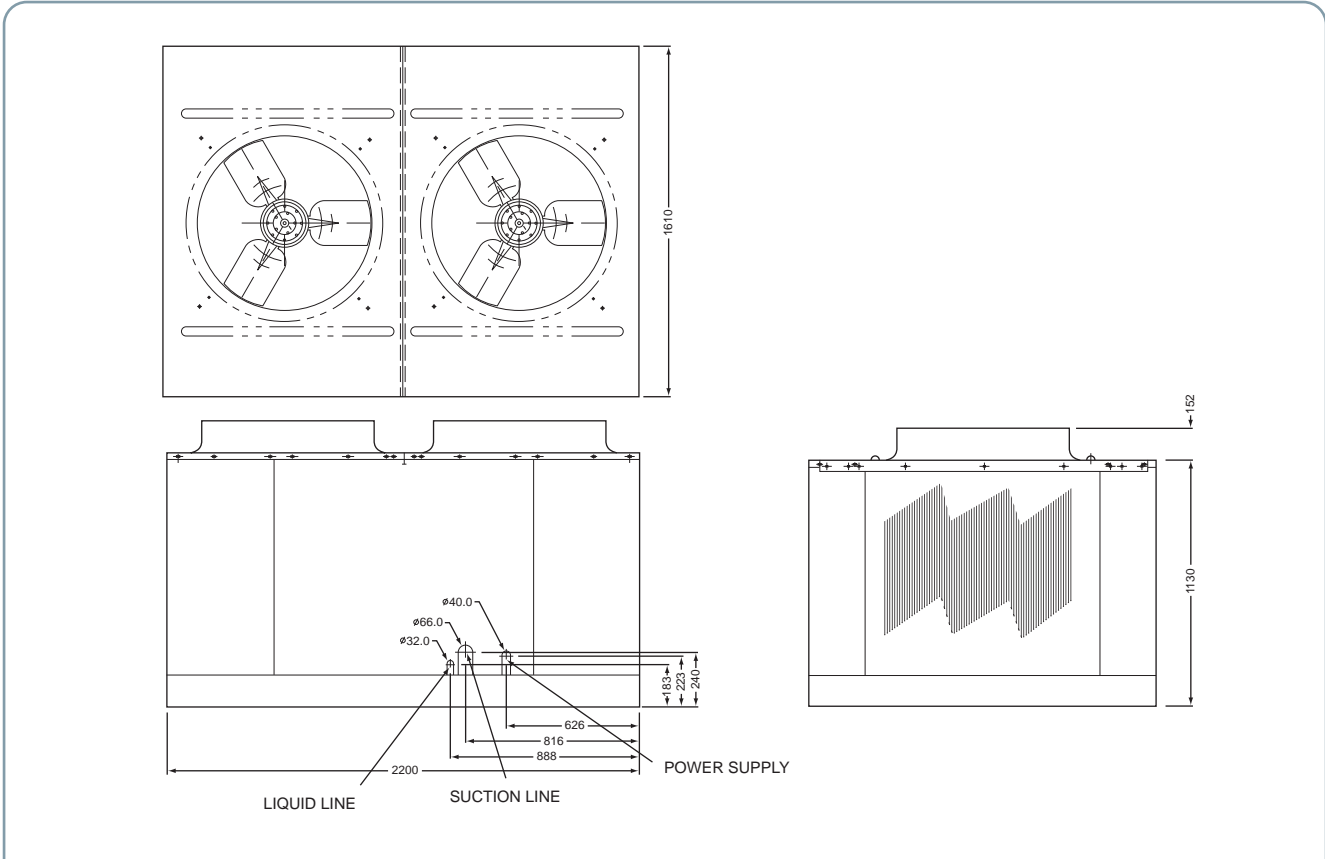
Physical Data

Description		Air Cooled Condensing Unit						
Product Model		38AF020	38AF025	38AF030	38AF040	38AF050	38AF060	
Nominal Cooling Capacity	W	58,000	82,000	93,000	117,000	161,000	180,000	
	Btu/hr.	200,000	280,000	320,000	400,000	550,000	615,000	
Power Consumption	W	19,370	26,360	28,360	39,860	52,450	58,050	
Power Supply	V/Ph./Hz	380/3/50						
Operating Current	Amp.	44.05	54.84	59.38	85.12	108.68	120.42	
Compressor	Model	06E2250611	06E2265611	06E627506	06E6299681	06E2265611	06E627506	
	Type	Semi-Hermetic Reciprocating						
	Quantity	1	1	1	1	2	2	
Coil	Type	Copper Tube / Aluminium Fin						
	Row	1.5	3	3	3	3	3	
	Fin / Inch	15	15	15	15	15	15	
	Face Area sq.ft.	42.94	42.94	54.00	54.00	73.23	73.23	
Fan Motor	Power Supply	380/3/50						
	Power Output	3/4	2	2	2	2	2	
	Power Input	1,260	2,700			4,030		
	Fan Type	Propeller						
	Drive Type	Direct						
	Fan Diameter	inch	28	27	30	30	27	30
	Quantity	EA	2	2	2	2	3	3
	Nominal Air Flow	CFM	20,000	21,200	23,200	23,200	33,000	33,000
Safety Device	Hi-Pressure Switch	395 / 275 (Cut out / Cut in) - Auto Restart type						
	Low-Pressure Switch	30 / 60 (Cut out / Cut in) - Auto Restart type						
	Oil-Pressure Switch	6 / 14 (Cut out / Cut in) - Auto Restart type						
Capacity Step Control (By Unload)	%	0/50/100	0/66/100	0/66/100	0/66/100	0/33/50/83/100	0/33/50/83/100	
Starter	Part Winding							
Electrical Controls	Time Guard Control Module							
Refrigerant	Type	R-407C						
	Pre-Charging from Factory	kg.	0.50	0.50	0.50	0.50	0.50	
Piping Connections	Liquid	inch	7/8	7/8	7/8	7/8	2.....7/8	
	Suction	inch	1 5/8	1 5/8	2 1/8	2 1/8	2.....1 5/8	
Weight	lb(kg.)	1,155 (524)	1,286 (583)	1,367 (620)	1,435 (651)	1,950 (885)	2,125 (966)	

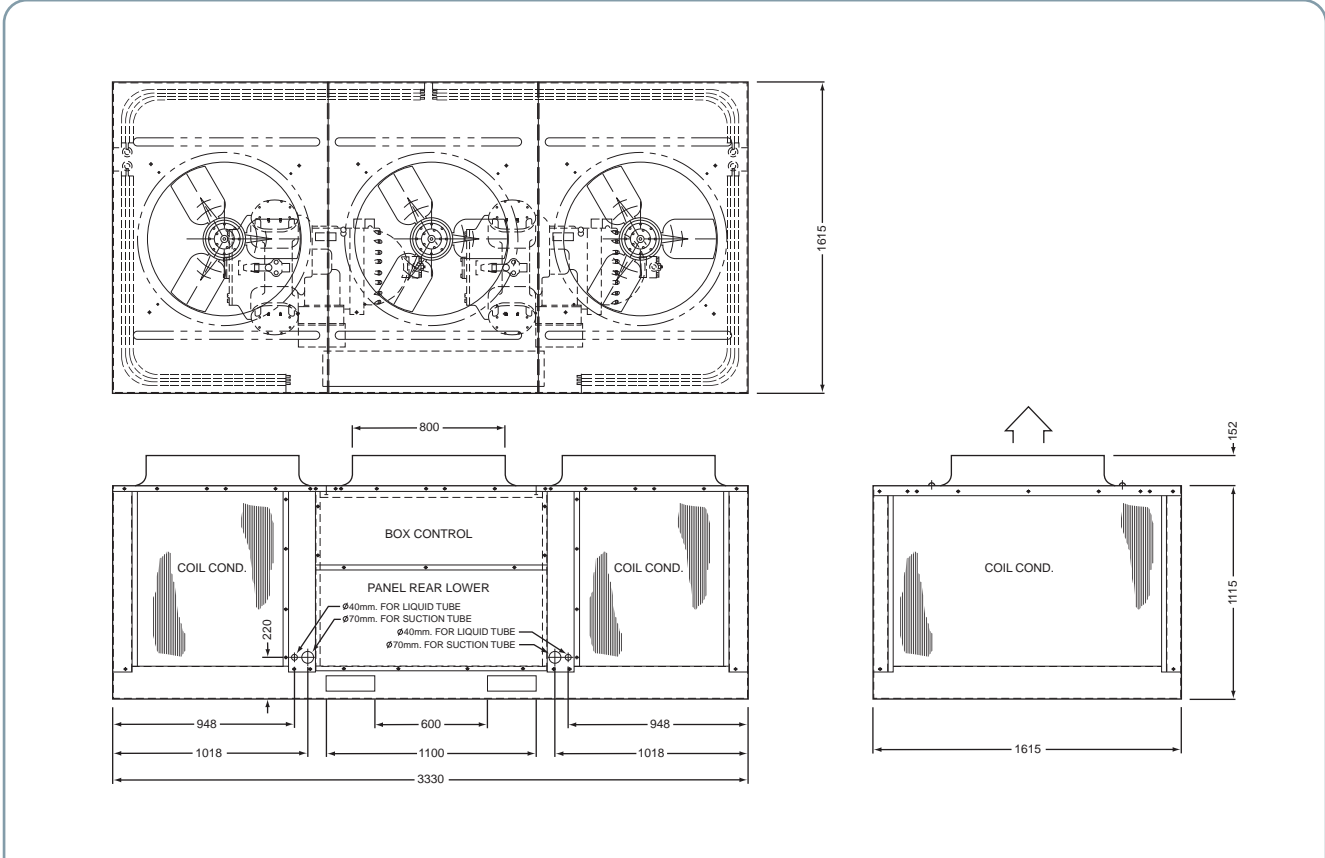
* RATING CONDITION: OUTDOOR AMBIENT TEMPERATURE 95°F, SATURATED SUCTION TEMPERATURE 45°F

** UNIT SUPPLIED FROM FACTORY ONLY NITROGEN

Unit dimensions



Model : 38AF020-040



Model : 38AF050-060



บริษัท แคนเรียร์ (ประเทศไทย) จำกัด

1858/63-74 ชั้น 14,15
ถ.บางนา-ตราด กม. 4.5
บางนา กรุงเทพฯ 10260
โทร. 0-2762-9222 แฟกซ์: 0-2751-4778

Carrier (Thailand) Ltd.

1858/63-74, 14th, 15th Floor,
Bangna-Trad Road, Km. 4.5, Bangna,
Bangkok 10260 Thailand
Tel. 0-2762-9222 Fax: 0-2751-4778

Carrier reserves the right to make changes in specifications without prior notice.
บริษัทฯ ขอสงวนสิทธิ์ที่จะเปลี่ยนแปลงรายละเอียดข้างต้น โดยมีต้องแจ้งให้ทราบล่วงหน้า



YOUR CARRIER MAN :