

39GV Series

Double Skin Air Handling Unit

FLEXIBLE MODULAR INDIVIDUALISED CONSTRUCTION

Double skin AHU 39GV series are available as customised adapted exactly to meet specific requirements. Various sections can be arranged in sequence dictated by job requirements, and separated by access sections where necessary, giving complete flexibility of design.

RIGIDITY AND THERMAL INSULATION

Extruded aluminum with Non-Thermal Bridge posts provide structural rigidity and prevent thermal heat transfer. The panels shall be constructed of two layers of steel sheet with injected CFC-Free Polyurethane insulation which thermal conductivity factor of 0.019 W/mK and density of 40kg/m³ in between to ensure effective thermal and acoustic insulation.

ACCESSIBILITY AND MAINTENANCE

The easily removable panels and quick release access doors offer accessibility to fans, coils, filters and dampers. Additional access sections can be provided to suit project requirement.

VARIOUS TYPE OF FANS

Selectable double inlet, double width centrifugal blower to match required air flowrate & static pressure

- Forward curved
- Backward curved
- Air foil blade

VIBRATION ISOLATION

Centrifugal fan motor packages are mounted on common bases with 1" deflection spring isolator ensuring that all moving parts are independently isolated from the casing structure

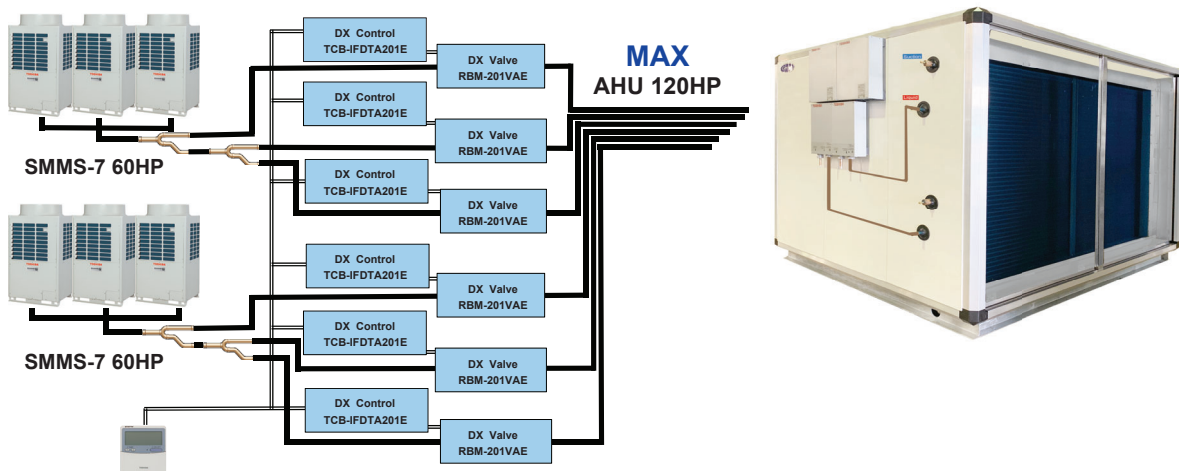


ISO 9001 QMS18026/1686
ISO 14001 EMS18012/471
ISO 45001 OHSMS19061/078



Model	39GV	0612XT08	0713XT10	0914XT16	0914XT18	0916XT20	1319XT32	1319XT36	1422XT40	1722XT48	1724XT54	1725XT60	
Total Cooling Capacity	HP	8.0	10.0	16.0	18.0	20.0	32.0	36.0	40.0	48.0	54.0	60.0	
	Kw	22.4	28.0	45.0	50.4	56.0	90.0	100.8	111.9	135.0	151.2	168.0	
	Btu/h	76,400	95,500	153,500	172,000	191,100	307,100	343,900	381,800	460,600	515,900	573,200	
Air Flow rate	Nominal	cmh / cfm	3,600 / 2,100	4,200 / 2,500	7,200 / 4,200	7,800 / 4,600	8,400 / 4,900	14,400 / 8,500	15,600 / 9,200	16,800 / 9,900	20,400 / 12,000	23,400 / 13,800	25,200 / 14,800
	Min	cmh / cfm	2,880 / 1,700	3,360 / 2,000	5,760 / 3,400	6,240 / 3,700	6,720 / 4,000	11,520 / 6,800	12,480 / 7,300	13,440 / 7,900	16,320 / 9,600	18,720 / 11,000	20,160 / 11,900
	Max	cmh / cfm	4,320 / 2,500	5,040 / 3,000	8,640 / 5,100	9,360 / 5,500	10,080 / 5,900	17,280 / 10,200	18,720 / 11,000	21,600 / 12,700	24,480 / 14,400	28,080 / 16,500	30,240 / 17,800
Cooling Coil	Material	Copper Tube / Aluminum Fin											
	Face Area	sq.ft.	5.3	7.3	11.5	11.5	12.6	22.1	22.1	25.1	31.5	35.6	42.3
Air Filter Size	12" x 24" x 2"	pcs.	3	-	2	2	3	-	2	5	5	4	
	24" x 24" x 2"	pcs.	-	2	2	2	2	6	6	6	6	8	
Fan	Type	Double Width Double Inlet Centrifugal Fan (FDA or BDB)											
	Size		225	280	355	355	355	450 or 500	450 or 500	500 or 560	630 to 710	630 to 710	630 to 710
Motor	Power Supply	V/Ph/Hz	380V / 3Ph / 50Hz										
	Available Size	HP	3.0	5.0	5.0	5.0	5.0	7.5	7.5	10.0	15.0	15.0	15.0
	Type	Totally Enclose Fan Cooled											

DX Coil Controller	Model x pcs.	TCB-IFDTA201E(TA Control) x 1	TCB-IFDTA201E(TA Control) x 2				TCB-IFDTA201E(TA Control) x 3			
DX Valve Kit	Model x pcs.	RMB-A101VAE X 1	RMB-A101VAE X 2				RMB-A201VAE X 2			



Remote Controller Options



Standard remote controller
RBC-AMT32E



Remote controller with weekly timer (7-day timer function)
RBC-AMS41E



Schedule timer
TCB-EXS21TLE



Wired remote Controller
RBC-AMS55E-ES
RBC-AMS55E-EN

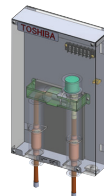


Central remote controller
BMS-SM1280HTLE

AHU DX Controller



DX Coil Controller
TCB-IFDTA201E
(TA Control)



DX Valve Kit
RMB-A* 01VAE

Dx-coil interface

VRF DX COIL INTERFACE is the product that is used with connecting the AHU with the DX COIL (Built-in from factory) to the TOSHIBA VRF outdoor unit.

Features

- Enable connection between 3rd party AHU and Toshiba VRF.
- Maximum capacity of connectable AHU :
 - Single Dx-coil interface : 8 ~ 20 HP
 - Multiple Dx-coil interface : Up to 120 HP (60 HP x 2)
- Connectable to various types of DX-COIL.

บริษัท แครีเออร์ (ประเทศไทย) จำกัด

1858/63-74 ชั้น 14, 15
ถ.เทพรัตน กม. 4.5 แขวงบางนาใต้
เขตบางนา กรุงเทพฯ 10260
โทร. 0-2090-9999 แฟกซ์: 0-2751-4778

Carrier (Thailand) Ltd.

1858/63-74 , 14th, 15th Floor,
Debaratna Road, Km.4.5, Bangna Tai,
Bangna Bangkok 10260 Thailand
Tel. 0-2090-9999 Fax: 0-2751-4778

บริษัทฯ ขอสงวนสิทธิ์ที่จะเปลี่ยนแปลงรายละเอียดข้างต้น โดยไม่ต้องแจ้งให้ทราบล่วงหน้า
Carrier reserves the right to make changes in specifications without prior notice.



YOUR CARRIER MAN :